



2430

Description

20 Amp, 480 Volt 3-Phase, NEMA L16-20R, 3P, 4W, Flush Mtg Locking Receptacle, Industrial Grade, Grounding, V-0-MAX - Black

UPC Code: 07847780936

Product Features

Trade Price: \$3,319.36 C

Color: Black



NEMA: L16-20R



Grounding: Grounding

Feature: V-0-MAX

Amperage: 20 Amp

Voltage: 480 Volt 3-Phase

NEMA: L16-20R

Pole: 3

Wire: 4

Termination: Back & Side

Face Material: Ultramid

Base Material: Valox

Strap Material: Nickel-Plated Brass

Color: Black

Standards and Certifications: UL/CSA

Warranty: Lifetime Warranty

Features and Benefits

- Single piece brass contact provides longer life and continuous conductivity vs multi-piece riveted styles
- Extra thick, corrosion resistant nickel plated brass strap
- Amperage, voltage, NEMA configuration, and Manufacturer molded into face lasts longer than stamping and makes for fast, easy identification and replacement
- Terminal identification molded into the body lasts longer than stamping
- Nickel plated brass clamp type terminals support back and side wiring and resist corrosion
- Color-coded voltage ID ring on face for quick visual identification
- UL V-0 flammability rating

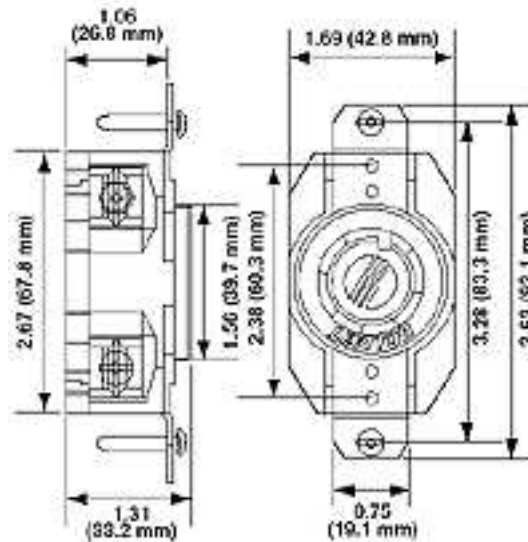
AC Horsepower Ratings	
At Rated Voltage	5 HP
Environmental Specifications	
Flammability	Rated V-0 per UL94
Operating Temperature	-40C to 60C
Mechanical Specifications	
Terminal ID	Brass-Hot, Green-Ground, White-Neutral
Terminal Accom.	14-8 AWG
Product ID	Ratings and NEMA I.D. permanently marked on device
Standards and Certifications	
NEMA	WD-6
ANSI	C-73
UL498	File E13399
UL Fed Spec WC-596	File E13399
CSA C22.2 No. 42	File LR-406
NOM	057

Electrical Specifications	
Dielectric Voltage	Withstands 2000V per UL498
Current Limiting	Full Rated Current
Temperature Rise	Max 30C after 250 cycles OL at 200 percent rated current

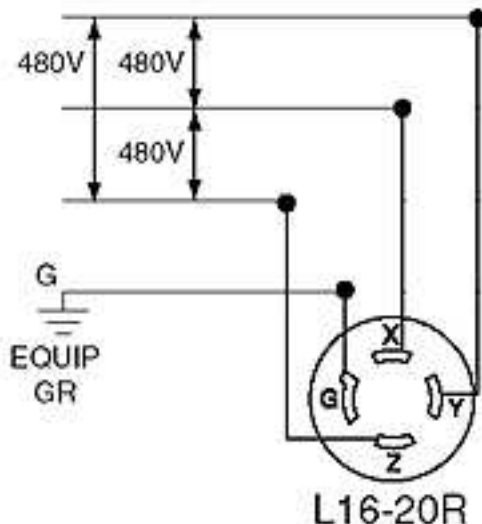
Material Specifications	
Face Material	Ultramid
Base Material	Valox
Line Contacts	Brass .040 Thick
Terminal Screws	Brass 10-32
Grounding Screw	Brass 8-32
Yoke	Nickel-Plated Brass .050 Thick

Packaging Specifications	
Standard Pack	30
Inner Pack	10
Unit Pack	BOXED
Carton Length	13.375
Carton Width	9.75
Carton Depth	5.125
Cube	.39
Carton Weight	9.3

Dimensional Diagram



Wiring Diagram



SPECIFICATION SUBMITTAL

JOB NAME: <input style="width: 90%;" type="text"/>	CATALOG NUMBERS: <input style="width: 95%;" type="text"/>
JOB NUMBER: <input style="width: 90%;" type="text"/>	<input style="width: 95%;" type="text"/>

Leviton Manufacturing Co., Inc.

201 North Service Road, Melville, NY 11747

Telephone: 1-800-323-8920 · FAX: 1-800-832-9538 · Tech Line (8:30AM-7:30PM E.S.T. Monday-Friday): 1-800-824-3005

Leviton Manufacturing of Canada, Ltd.

165 Hymus Boulevard, Pointe Claire, Quebec H9R 1E9 · Telephone: 1-800-469-7890 · FAX: 1-800-824-3005 · www.leviton.com/canada

Leviton S. de R.L. de C.V.

Lago Tana 43, Mexico DF, Mexico CP 11290 · Tel.: (+52)55-5082-1040 · FAX: (+52)5386-1797 · www.leviton.com.mx

Visit our Website at: www.leviton.com

© 2008-2010 Leviton Manufacturing Co., Inc. All rights reserved. Subject to change without notice.

Leviton has a global presence.

If you would like to know where your local Leviton office is located please go to: www.leviton.com/international/contacts/

